

NITROGEN GENERATOR

IMT-PN IMT-PO



Nitrogen generation with "Pressure Swing Adsorption" up to 99,9999%

The Pressure Swing Adsorption technology facilitates supplies of nitrogen at purities of up to 6.0 in capacities from 0,5 – to 5.000 Nm³/h.

Continuous supply of N₂

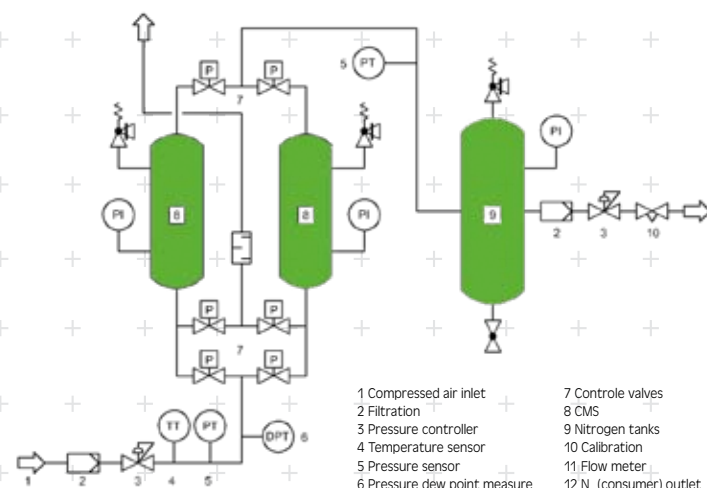
The quality of nitrogen ranging from high to premium purity is the distinguishing feature of our PSA range IMT-PN Nitrogen Generators.

These generators produce nitrogen from the compressed air available. The air is cleaned by pre-filtration which eliminates impurities, such as humidity, oil vapours, particles and hydrocarbons. The filtrated compressed air stream is channeled into an activated carbon filter. While the air is passing through the filter, the oxygen and carbon dioxide molecules are removed and the pressure dew point is lowered. The gas generated nitrogen is clean, dry and high purity so that it can be used for a wide variety of applications.

The parameters such as compressed air temperature, pressure, nitrogen purity and nitrogen pressure are all monitored continuously. The efficiency of INMATEC's nitrogen generators guarantees savings right from the start.

The standard model features a touchscreen panel and it can be remotely-controlled from any computer in the world.

- Optional:
- Pressure up to 300 bar
 - Flow meter, voltage adaptor
 - Pressure dew point indicator



THE WORLD OF GASES

IMT-PN IMT-PO



Compressed air specification

Max. operating pressure	10 bar
Temperature range	+ 10 – + 50°C
Air quality	according to ISO 8573.1, class 1 dirt and oil, class 4 water
Pressure dew point	+ 3°C

Calculation of air pressure requirements

N ₂ purity	95,00	97,00	98,00	99,00	99,50	99,90	99,99	99,999	99,9999
Air factor	1,9	2,1	2,3	2,5	2,9	3,9	5,5	8 – 10	10 – 12

Ambient conditions Temperature range - 50 – + 60°C

Noise level approx. < 55 dB (A)

Technical data and connections

Dimensions (HxWxD) mm: 1285 x 400 x 925 (PN-1150 and PN-1250) / 2000 x 800 x 650 (PN-1350 and PN-1450)
2000 x 1100 x 750 (PN-1550) / > PN-1650 special dimensions on request

Connections according to type of unit, details on request

Mains connection 230 V / 50 Hz (earthing type plug)

Special design Stainless steel, Ex-proof, Atex, IP 65, ASME

Capacity(Nm³/h)

	Nitrogen purity (%)	95,0	97,0	98,0	99,0	99,5	99,9	99,99	99,999	99,9999
IMT-PN 1150		5,70	4,70	4,10	3,20	2,60	1,60	0,90	0,40	
IMT-PN 1250		10,80	8,70	7,90	5,80	5,10	3,20	1,30	0,85	
IMT-PN 1350		20,80	17,10	15,80	12,60	9,50	6,30	3,20	1,80	
IMT-PN 1450		31,20	25,60	23,70	18,90	14,20	9,50	4,80	2,40	
IMT-PN 1550		49,20	40,10	35,60	28,40	22,10	12,60	6,30	3,20	
IMT-PN 1650		84,00	59,90	63,80	46,60	37,80	23,20	11,70	5,80	
IMT-PN 1750		117,40	94,50	85,10	63,00	50,40	30,30	16,40	7,30	
IMT-PN 2000		140,70	116,50	98,30	77,50	63,00	38,80	19,40	9,70	
IMT-PN 2150		211,10	174,30	146,50	115,00	94,50	57,80	29,00	14,50	
IMT-PN 2250		260,40	215,30	188,00	143,90	116,60	73,40	35,80	18,00	
IMT-PN 3000		372,80	308,70	269,90	205,80	167,00	102,90	51,40	25,80	
IMT-PN 4000		442,10	366,50	320,30	244,70	198,50	121,80	60,90	30,60	
IMT-PN 5000		630,00	522,90	457,80	348,60	283,50	174,30	87,20	43,60	
IMT-PN 6000		913,50	756,00	661,50	504,00	409,50	252,00	126,00	63,00	
IMT-PN 8000		1370,30	1134,00	992,30	756,00	630,00	378,00	189,00	95,00	

Capacity (Nm³/h)

On Request

INMATEC
GaseTechnologie
GmbH & Co.KG

Gewerbestraße 72
D-82211 Herrsching
Fon: 0049 (8152) 90 97-0
Fax: 0049 (8152) 90 97-10
e-mail: info@inmatec.com
www.inmatec.com



Certified according to
ISO 9001:2000

N₂